

ROTOR

Rotor Sanamat Inox RSI

The compact high performance juicer.

- very quiet, place saving, solid and elegant
- powerful electronically controlled motor
- 2 speeds
- polished stainless steel



A Swiss quality product which sets a higher standard worldwide!

Juice extractor Rotor Sanamat Inox

Spoil your clients, guests or patients with purely natural fruit or vegetables juices; freshly extracted with the Rotor Sanamat Inox.

The compact juicer Sanamat Inox is built for the daily use right in front of the customer: in bars, restaurants, coffee-shops, tea-rooms, hotels, homes, clinics and diet kitchens.

Powerful and efficient

The Sanamat Inox is a compact commercial juice extractor with continuous pulp ejection into the included large container. The machine separates the juice and the pulp excellently because of the perfect sealing system.



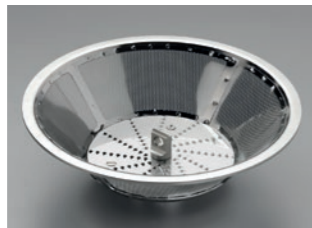
The patented construction, and the electronically controlled 2 high speeds of 5500 and 7200 rpm guarantee a maximum juice yield. For a timesaving and efficient juice extraction of hard vegetables the Sanamat needs to be operated with the higher speed. The silent lower speed is ideal for soft fruits.

Indisputably hygienic and easy to clean

Lid, juice collecting bowl, centrifugal basket and grating disc are made of dish washer safe polished stainless steel. Screwed into the centrifugal basket, the grating disc can be replaced easily.



Polished stainless steel lid with big, round feed tube of 80 mm, for high throughput and easy cleaning.



Robust centrifugal basket made entirely of stainless steel.

Juice cocktails unlimited

Live your phantasy: make juices with local or exotic fruits and all sorts of vegetables. Also sophisticated juice cocktails can be prepared in front of your clients.

All consumers know: Only juices directly from the fresh fruits and vegetables are purely natural, without any preservatives and chemical additives!



High quality design, silent

- The motor housing is also made of polished stainless steel.
- The support for the juice collecting bowl is made of high-grade, noise-absorbing plastic material.
- The machine is driven directly by a heavy duty, ventilator cooled high power motor.
- The plunger is made of unbreakable hard-polyethylene.



No danger despite high speed

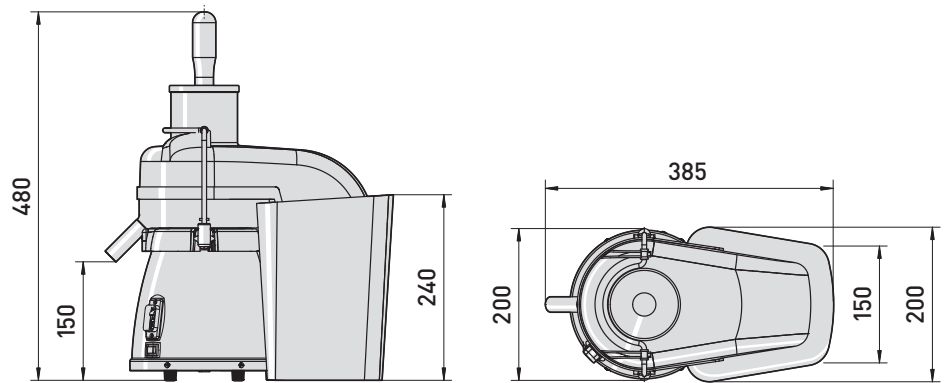
The solid lid is secured with a safety clasp assembly. By opening the clasp, the motor stops immediately. The power supply will be interrupted and the built-in brake stops the centrifugal basket within seconds. Any danger of injury from rotating parts can be avoided.



For your safety

- A protective switch prevents the motor from overloading and overheating.
- The Rotor Sanamat Inox conforms to the international IEC standards, fulfilling also the requirements of the NSF (food-hygiene).

The compact commercial juicer Rotor Sanamat Inox RSI



Remark:

For processing high volumes we recommend our high performance fruit and vegetable juicer **Rotor Vitamat Inox**.

Technical data

Model	Rotor Sanamat Inox (RSI)
Article number	1216.00x
Power supply	230 V/50 Hz/3 A or 120 V/60 Hz/5 A
Max. power	600 W continuous operation/~ 1100 W peak
Speeds	5500 up to 7200 rpm
Net weight	7.6 kg

Swiss Made.

The machine complies with the CE-regulations. **CE**

Your distributor:

Production and sales

Rotor Lips Ltd.

Catering equipment manufacturer

CH-3661 Uetendorf
Switzerland

Phone +41 (0)33 346 70 70

Fax +41 (0)33 346 70 77

info@RotorLips.ch

www.RotorLips.ch

ROTOR Lips FEUMA

Rotag-Group The quality makers of robust catering machines