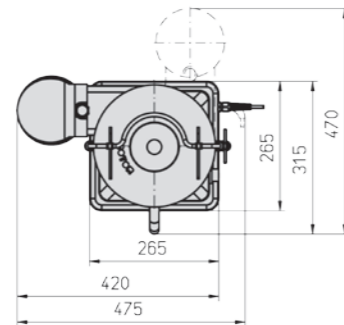
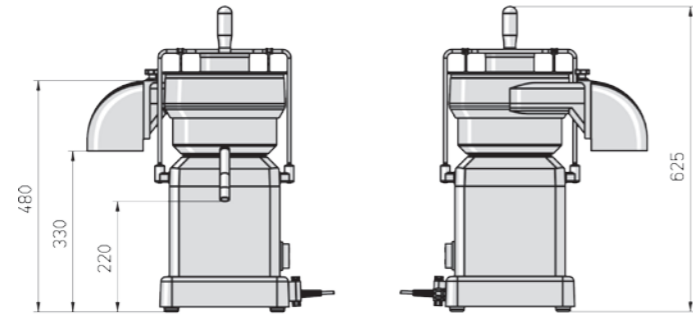


Juice extractor Vitamat PowerJuicer

Technical data

Type	Vitamat PowerJuicer (Plus Inox)
Article number	1110.00x
Power supply	230 V/50 Hz/4,5 A or 120 V/60 Hz/7,2 A
Max. power consumption	~1500 W peak /800 W continuous operation
Speed	5500 rpm
Net weight (kg)	15 kg/16,87 kg (Version Plus Inox)



The machine complies with the CE-regulations.



Your distributor:

All rights reserved to make alterations without prior notice.



Rotor Vitamat PowerJuicer

The high performance commercial juicer

- Strong motor with electronically controlled high speed
- High yield due to special centrifugal basket made of stainless steel
- Easy cleaning



A Swiss quality product which sets a higher standard worldwide!

Juice extractor Vitamat PowerJuicer

Spoil your clients, guests or patients with purely natural fruit or vegetables juices; freshly extracted with the Vitamat PowerJuicer. The Vitamat is an extremely stable and robust high performance commercial juicer, perfect for the professional daily use.

The strong, electronically controlled motor and the big feed chute allow an efficient processing of a large quantity of fruits and vegetables. The special centrifugal basket is entirely made of stainless steel. The grating disc, also in stainless steel, is screwed into the strainer basket and can be replaced easily if needed.

The juice extractor Vitamat PowerJuicer conforms to the safety and hygiene regulations for commercial machines. The motor only runs if lid and safety clasp are closed. Opening the safety clasp activates a brake which immediately stops the centrifugal basket. At the same time, the power supply is interrupted.

Juice extractor Vitamat PowerJuicer Plus Inox

The version «Plus Inox» of the Vitamat PowerJuicer is equipped with a lid made of stainless steel and a large round feed chute. The chute allows an optimal and fast processing of soft, round fruits (for example apples, pears or peeled oranges), without chopping them first.



Vitamat PowerJuicer «Plus Inox» with large feed chute



Vitamat PowerJuicer standard version



Juice cocktails unlimited

Live your phantasy: make juices with local or exotic fruits and all sorts of vegetables. Also sophisticated juice cocktails can be prepared in front of your clients.

All consumers know: Only juices directly from the fresh fruits and vegetables are purely natural (without any preservatives and chemical additives)!



The pulp is automatically ejected into a container on the table or through a tube into a bin under the counter. The pulp chute can be turned sideways or to the back. This allows an ergonomic placement of the machine.

Commercial advantages

- Excellent juice yield
- Juices large quantities of fruits and vegetables
- Easy and safe handling
- Quick and smooth cleaning
- CE-conform, fulfilling the requirements of the NSF (hygiene standards)

High performance machine

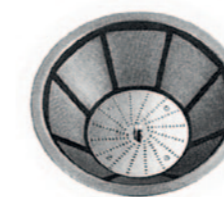
- Quiet direct drive with brake
- High-temperature resistant motor with ventilator
- Electronically controlled high speed, 5500 rpm
- Motor protection preventing overloading and overheating

High quality construction

- Swiss made
- Stable and robust construction
- Motor housing of polished cast aluminum/stainless steel
- Juice collecting bowl, grating disc and centrifugal basket of stainless steel
- The grating disc is screwed into the centrifugal basket and can be replaced easily if needed
- Plunger made of solid hard-polyethylene
- Pulp chute can be turned 90°
- Attachment made of transparent and break-proof polycarbonate

Options

- Tube that fits to pulp chute available
- Round feed chute (version «Plus Inox»)



Replaceable centrifugal basket made of stainless steel.