

Rotor Memory Blender 2

The high performance programmable commercial silent blender.

- 12 programmable cycles for automatic processing
- 6 fixed speeds in manual mode
- very quiet, place saving, solid and elegant
- polished stainless steel
- easy cleaning



A Swiss quality product which sets a higher standard worldwide!

Rotor Memory Blender 2

Spoil your clients and guests with mixed cocktails, frozen drinks, smoothies, ice coffees, shakes and other trendy drinks.

The Rotor Memory Blender 2 is built for the daily use right in front of the customer: in bars, restaurants, coffee-shops, tea-rooms, or hotels.

Powerful and efficient

The Memory Blender 2 is a compact programmable commercial blender, driven by a high power ventilator cooled motor. The high-quality construction and the electronically controlled speed cycles guarantee a maximum on performance. The "High Power" blades crush ice cubes within a few seconds.



before crushing



after 2 seconds crushing

Electronic control with "Memory" function

The microprocessor based controller features 6 push buttons with 12 optimized pre-programmed cycles which are suitable for most applications. Using the built-in "Memory" function, these cycles can be replaced with individual programs with different time and speed settings.



Even the speed of the "Pulse" function can be changed. It's possible to disable the "Memory" function, to prevent unwanted overwriting. The blender can also be operated in a manual mode with 6 fixed speeds. The easy to understand LEDs show the state of the controller.



2 litre jars made of stainless steel or polycarbonate

The 2 litre jars are made of stainless steel or dish washer safe, unbreakable polycarbonate. All jars have a stainless steel bottom, which is removable for easy cleaning. The cutting head has 2 sealed stainless steel bearings and 4 shock absorbers to prevent noise. The parts can be replaced.



Stainless steel 2 l, very robust, for highest demands on hygiene, stainless steel handle.



Polycarbonate 2 l, light, handy, transparent, with scale, stackable.



"High Power" cutting head, for intense and fast processing, crushes also ice cubes. Art. Nr. 1121.306



Optional whipping head, stirs without cutting. For crèmes, shakes, cocktails, etc. Art. Nr. 1121.305



Optional cutting head "Bar-Blender", for gentle mixing and very fine pureeing. Art. Nr. 1125.130

High quality design, silent and easy to clean

The motor housing is made of polished stainless steel. The top of the machine made of high-grade plastic material is noise-absorbing. The entire sound enclosure is removable without any tools.



The programmable Rotor Memory Blender 2

Safety

- By opening the plastic cover the motor stops immediately.
- A protective switch prevents the motor from overloading and overheating.
- Rugged main switch.
- The blender conforms to the international IEC standards, also fulfilling the requirements of the NSF (food-hygiene).

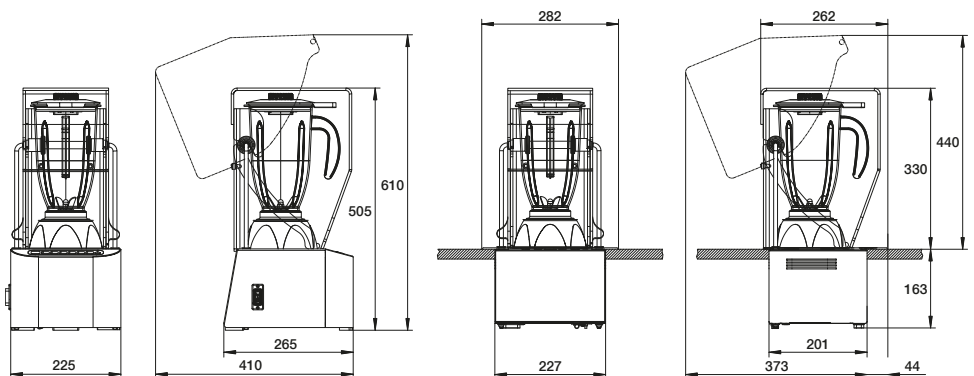
Technical data

Type	Rotor Memory Blender 2	Jar 2 l / PC	Jar 2 l / Inox
Article number	1126.10x	1123.064	1123.044
Power supply	230 V / 50 Hz		
Max. power	~1600 W peak / 1000 W continuous		
Speed	2000-15000 rpm, programmable		
Net weight (kg)	8.0	0.75	1.45
L x W (mm)	265 x 225 / 410 x 225 open	max. Ø 233	max. Ø 225
Height (mm)	505 / 610 open	280	280

Swiss Made

The Rotor Memory Blender 2 is made completely in our factory in Uetendorf, including the motor.

The machines comply with the CE-regulations. **CE**



Tabletop version

In-Counter version



Remark:

For lower demanding bar operation we recommend the competitive **Rotor BarBlenders**, for commercial kitchens the blenders **Rotor Gastronom GT** or **Rotor Gastronom GK** (CE) with 4 l jars.

Your distributor: